

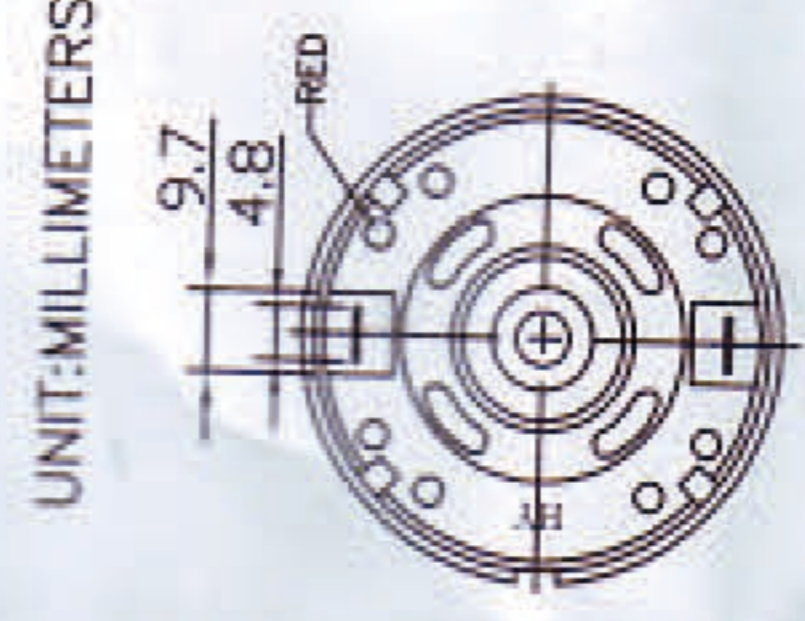
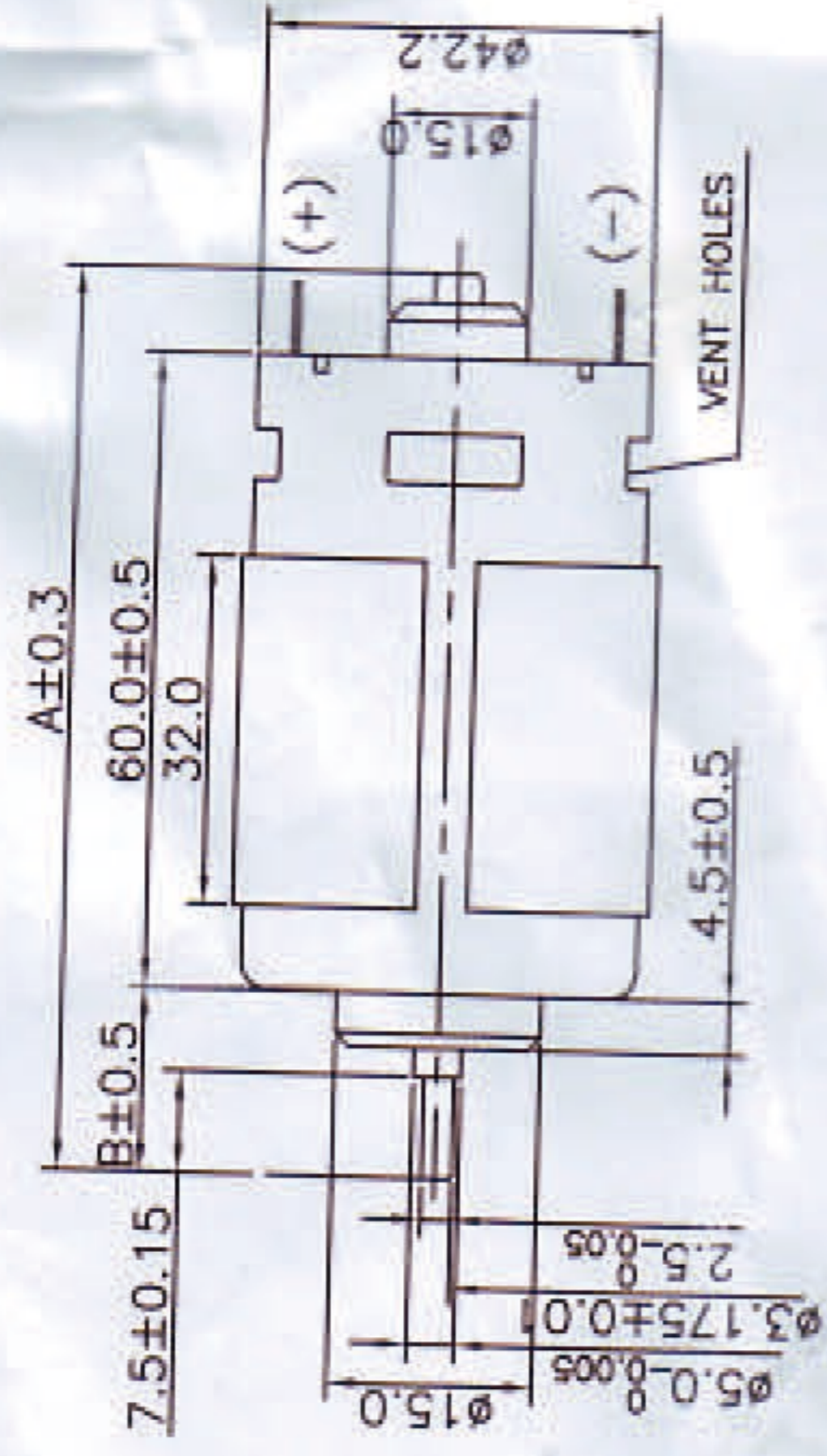
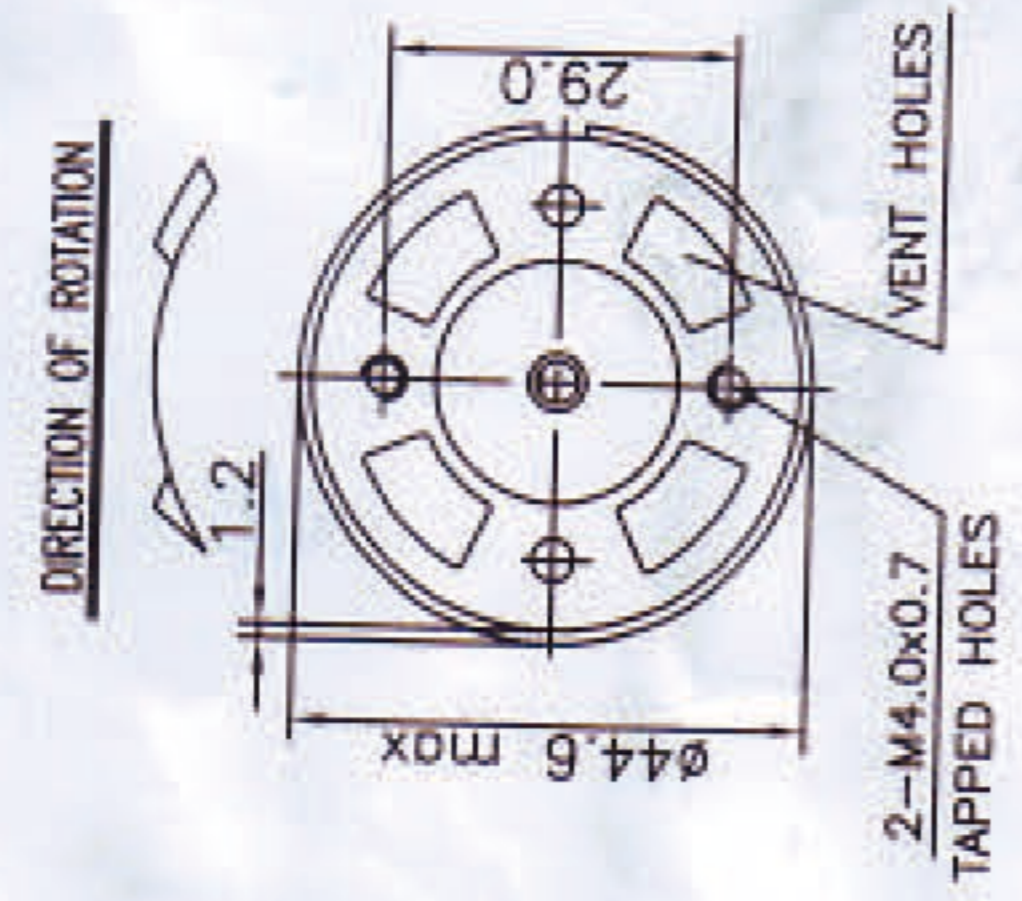


HONGYANG MICROMOTOR CO., LTD

HRS-755S-5022F

版本: B/0
HY/QRP010-05

TEL: 0574-62727908 http://www.Hong Yangmotor.com
FAX: 0574-62727908 E-mail: hongyang@mail.nbptt.zj.cn.



NOTES:

1. LENGTH OF SHAFT DIM "A" IS: 83.0 MM
2. FRONT EXTENSION DIM "B" IS: 15.0 MM MEASURED WITH SHAFT PUSHED TO PLASTIC END CAP.
3. END PLAY 0.1-0.6 MM
4. DIRECTION OF ROTATION:
ANTI-CLOCKWISE WHEN VIEWING MOTOR OUTPUT END WITH POSITIVE VOLTAGE APPLIED TO POSITIVE TERMINAL.

RATED VOLTAGE : 30.0 V
AT NO LOAD

CURRENT: 1.7 A
SPEED: 19000±10% rpm

AT MAXIMUM EFFICIENCY

TORQUE: 985 g.cm
CURRENT: 8.0 A
SPEED: 16323±10% rpm
OUTPUT: 164.9 W
EFFICIENCY: 68.7 %

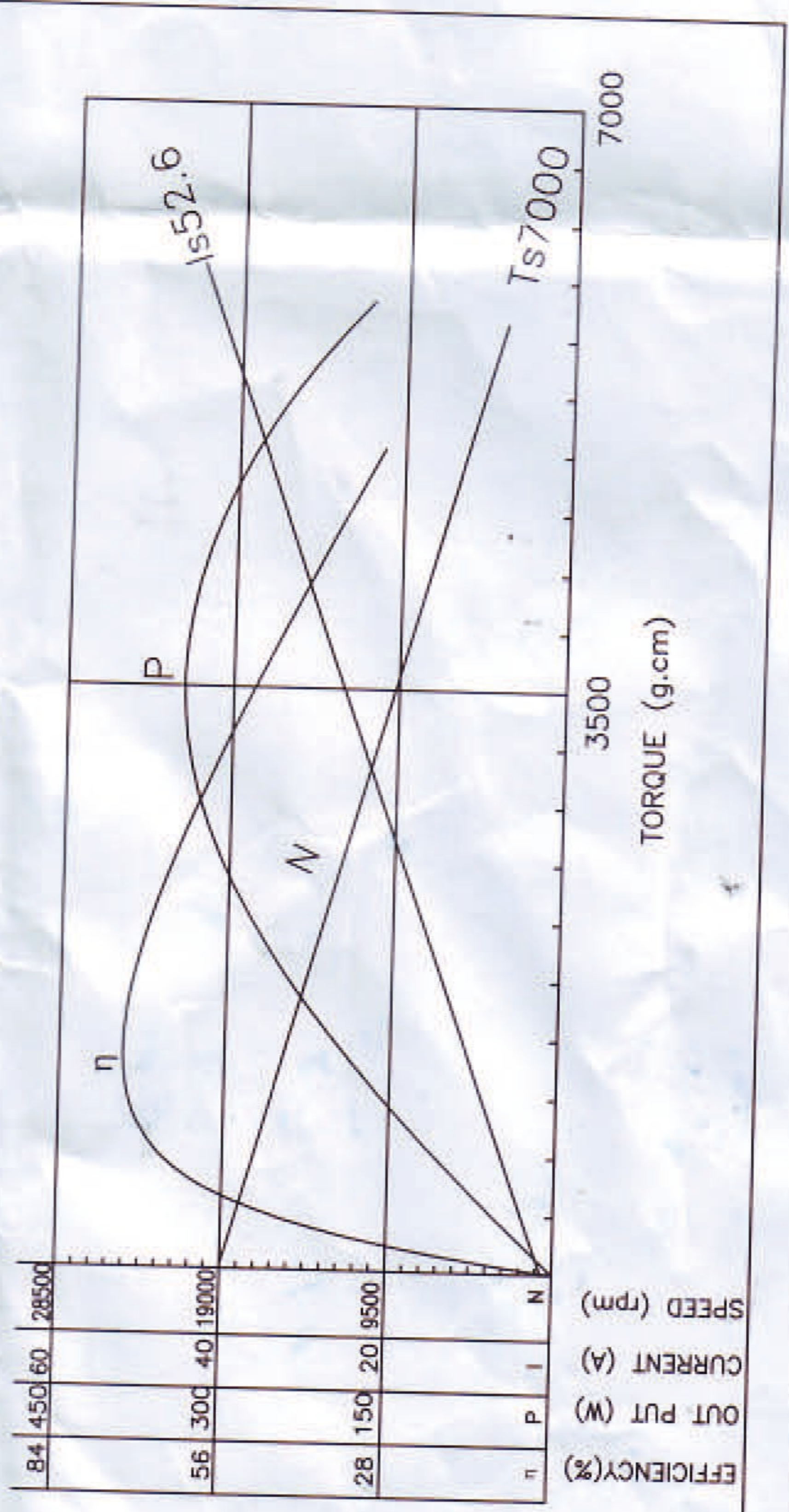
AT MAXIMUM POWER

TORQUE: 3500 g.cm
CURRENT: 26.9 A
SPEED: 9500±10% rpm
OUTPUT: 341.0 W

AT STALL

CURRENT: 52.6 A
TORQUE: 7000 g.cm

HRS-755S-5022F DC 30.0V



PART NO 5-44 (A01电动机)

DRAY BY

LANJUN

CHECKED BY

APPROVED BY

DATE

2009-05-24