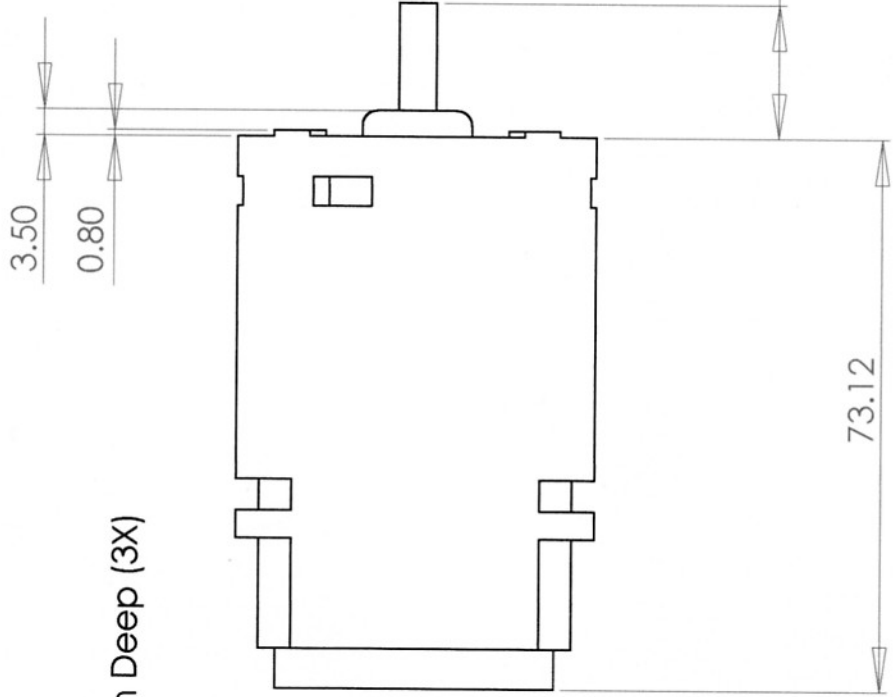
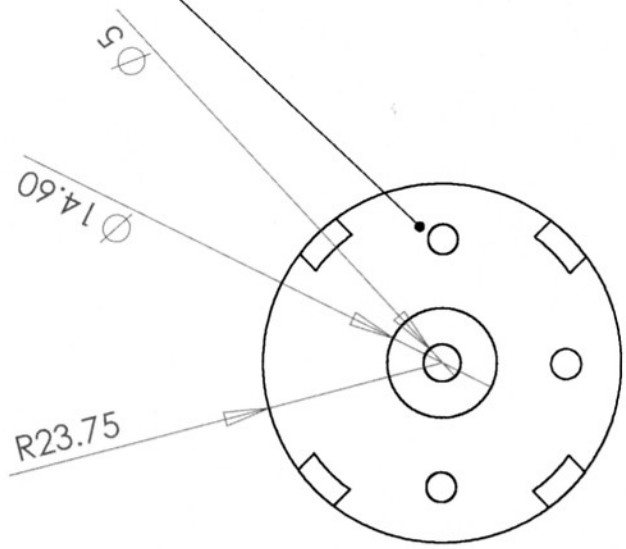


REVISIONS	DESCRIPTION	DATE	APPR

ZONE	REV.



PROPRIETARY AND CONFIDENTIAL
 THE INFORMATION CONTAINED IN THIS DRAWING IS THE SOLE PROPERTY OF <INSERT COMPANY NAME HERE>. ANY REPRODUCTION IN PART OR AS A WHOLE WITHOUT THE WRITTEN PERMISSION OF <INSERT COMPANY NAME HERE> IS PROHIBITED.

NAME	DATE	DRAWN	CHECKED	ENG APPR.	MFG APPR.	Q.A.	COMMENTS:
Kitbots							
Dewalt 18v motor 396505-22SV							
DIMENSIONS ARE IN INCHES							
TOLERANCES:							
FRACTIONAL: ±							
ANGULAR: MACH ± BEND ±							
TWO PLACE DECIMAL ±							
THREE PLACE DECIMAL ±							
MATERIAL: --							
FINISH: --							
NEXT ASSY	USED ON	APPLICATION					
		DO NOT SCALE DRAWING					
SIZE DWG. NO. A							
CP 418.1.1 1/28/2017							